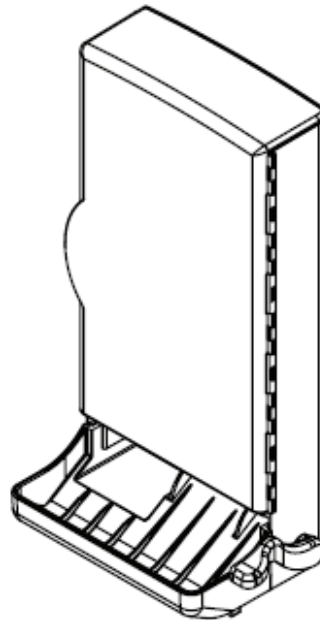
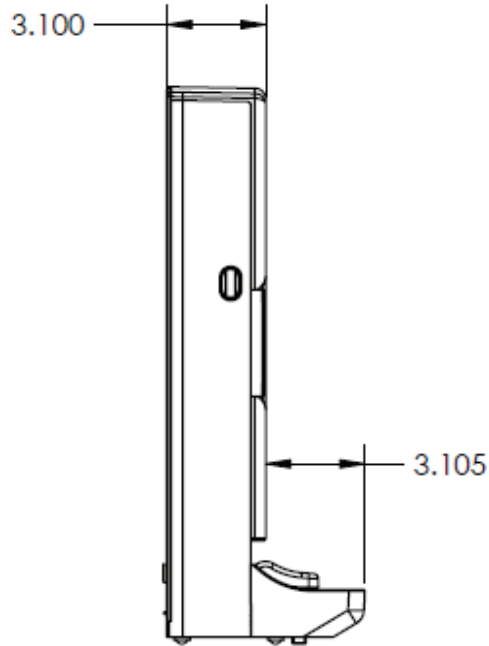
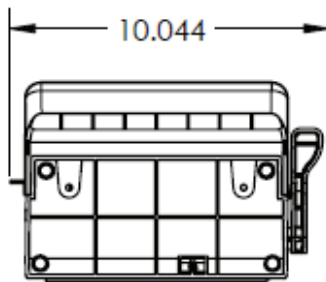
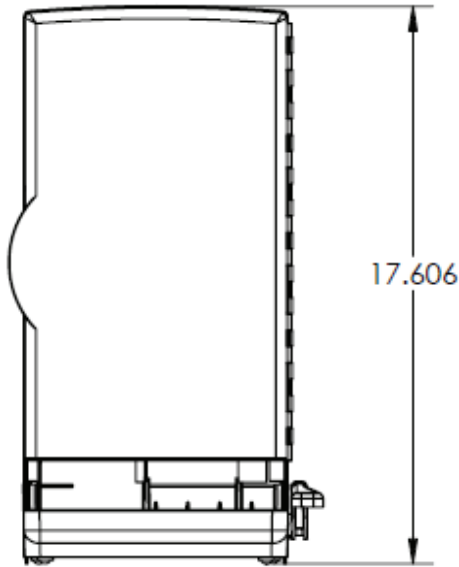


SKU # SSSD80, SSFD80, SSKD80,
SSSPD80, SSFPD80, SSKPD80, SSPKPD80

SS Mini Cutlery Dispenser Specification Sheet



Overall Dimensions:

Dispenser: 10.04" W x 17.60" H x 6.32" D

Overall Weight:

Dispenser: 4.88 lbs

Capacity:

SKU: SSF51, SSS51, SSK51,
SSF21P, SSK21P, SSS21P, SSPK21P

Each dispenser fill is two stacks of 40 count cutlery
for a total of 80 count.

For questions or comments, please call
1-866-HELLO GP (435-5647)