



INSTALLATION INSTRUCTIONS

Replacing lock with magnet closure

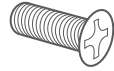
Parts included



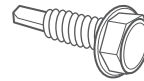
2x
Metal Plates



2x
Magnets



2x
Flat Head
Screws



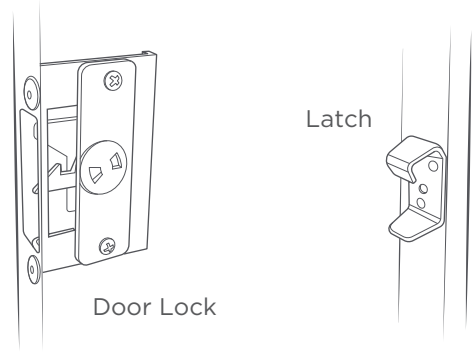
2x
Hex Head
Screws



2x
Nylock
Nuts

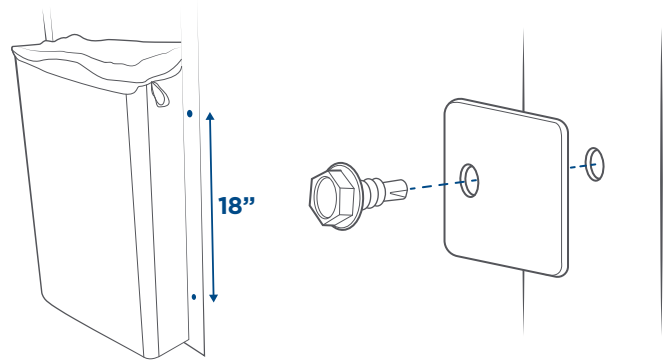
1 Remove current lock system.

Use universal key to open lock on side of trash receptacle. Use screw driver to remove the lock in the door. Removing the latch is optional.



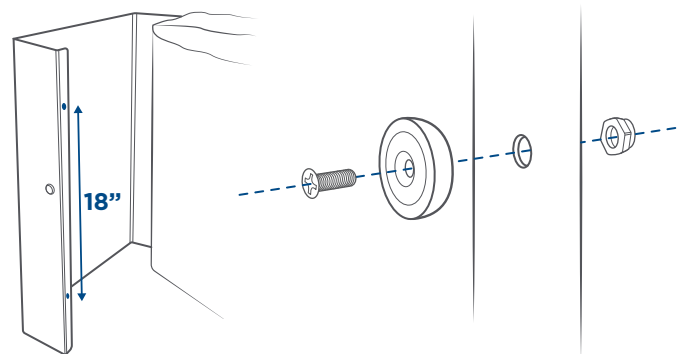
2 Attach metal plates to frame.

Mark holes 18" apart on receptacle frame against wall. Remove tape strip on back of metal plates. Use hex head screw with plate in place to drill and tap hole.



3 Attach magnets to door.

On door edge, mark holes 18" apart and make sure holes align with plates on frame. Drill holes and attach magnets using flat head screws, with the nylock nut on the backside of the door.



4 Close door. Installation complete.